

a SIG and its Steering Committees –

the story of





5000 members



5000 members

and about 15 sponsored conferences each year  
(+ another 20 in cooperation with SIGCHI)



5000 members



[Site Map](#) [Accessibility](#) [Contact](#)

[Home](#) [Connect](#) [About SIGCHI](#) **[People](#)** [News](#) [Resources](#) [Publications](#) [Conferences](#) [Communities](#) [News](#)

#### In This Section

##### Officers and Committees

- General Conference Co-Chair Job Description

you are here: [home](#) → [people](#) → officers and committees

### Officers and Committees

ACM SIGCHI is run by the Executive Committee (EC), which includes elected officers, the immediate past Chair, chairs of membership publications, and appointed office-holders.

### ACM SIGCHI Officers and Committees

- [Executive Committee](#)
- [Adjunct Chairs](#)
- [Conference Management Committee](#)

« March 2014 »

Mo	Tu	We	Th	Fr	Sa	Su
					1	2
3	4	5	6	7	8	9
10	11	12	13	14	15	16
17	18	19	20	21	22	23
24	25	26	27	28	29	30
31						



5000 members **elect:**

1. President
2. Executive Vice President
3. VP for Communications
4. VP for Finance
5. VP at Large
6. VP at Large



5000 members **elect:**

1. President
2. Executive Vice President
3. VP for Communications
4. VP for Finance
5. VP at Large
6. VP at Large

**appoint:**

- a. VP for Conferences
- b. AC for Specialized Confere

- a. VP for Conferences
- b. AC for Specialized Confere

VP for Conferences **compose:**

AC for Specialized Conferences

CMC

(Conference Management Committee)

I. Core CMC

II. Whole CMC



VP for Conferences      **compose:**

AC for Specialized Conferences

CMC

(Conference Management Committee)

I. Core CMC

VP Conf.; AC Spec. Conf.; President SIG; ACM Liaison

II. Whole CMC

VP for Conferences      **compose:**

AC for Specialized Conferences

## CMC

(Conference Management Committee)

I. Core CMC      **Meets 4 - 5 times / year**

VP Conf.; AC Spec. Conf.; President SIG; ACM Liaison  
PCS Liaison; Surveys; Data Analysis; Video Capture

II. Whole CMC

VP for Conferences      **compose:**

AC for Specialized Conferences

## CMC

(Conference Management Committee)

### I. Core CMC

VP Conf.; AC Spec. Conf.; President SIG; ACM Liaison  
PCS Liaison; Surveys; Data Analysis; Video Capture

### II. Whole CMC

All above +  
past and future CHI Conference Chairs;

VP for Conferences **compose:**

AC for Specialized Conferences

## CMC

(Conference Management Committee)

### I. Core CMC

VP Conf.; AC Spec. Conf.; President SIG; ACM Liaison  
PCS Liaison; Surveys; Data Analysis; Video Capture

### II. Whole CMC **Meets 1 - 2 times / year**

All above +

past and future CHI Conference Chairs;

**Steering Committee Chairs:**

CSCW; EICS; DIS; VRST; UIST; IUI; ICMI; UbiComp;  
RecSyS; GROUP; TVX; Mobile HCI; TEI; CABS



# SIGCHI

[Site Map](#)

[Accessibility](#)

[Contact](#)

[Home](#)

[Connect](#)

[About SIGCHI](#)

[People](#)

[News](#)

[Resources](#)

[Publications](#)

[Conferences](#)

[Communities](#)

[News](#)

In This Section

Officers and Committees

- General Conference Co-Chair Job Description

you are here: [home](#) → [people](#) → officers and committees

## Officers and Committees

ACM SIGCHI is run by the Executive Committee (EC), which includes elected officers, the immediate past Chair, editors of membership publications, and appointed office-holders.

## ACM SIGCHI Officers and Committees

- [Executive Committee](#)
- [Adjunct Chairs](#)
- [Conference Management Committee](#)

« March 2014 »

Mo	Tu	We	Th	Fr	Sa	Su
					1	2
3	4	5	6	7	8	9
10	11	12	13	14	15	16
17	18	19	20	21	22	23
24	25	26	27	28	29	30
31						

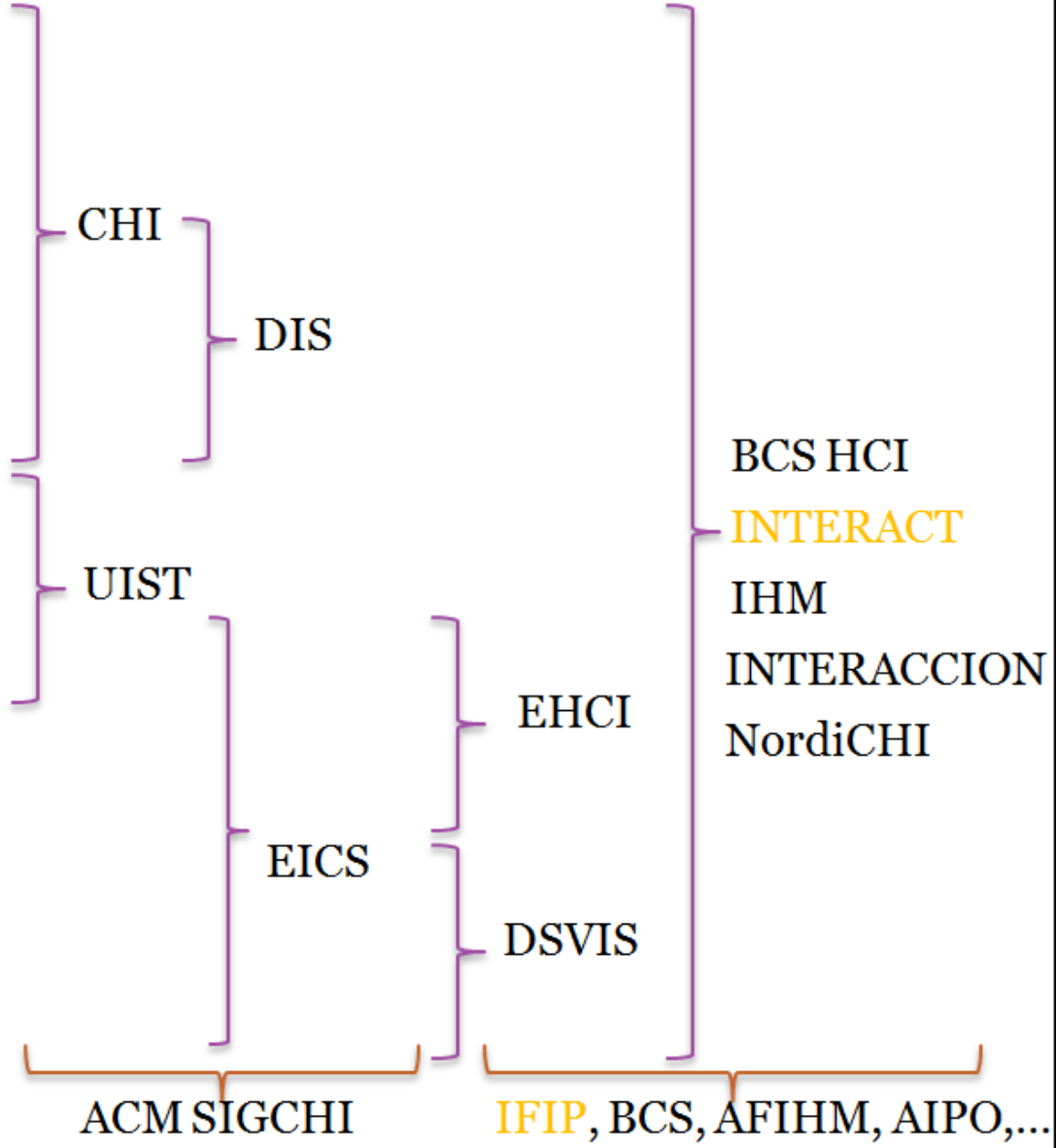
### Steering Committees Chairs of SIGCHI Sponsored Conferences

- Loren Terveen [terveen at terveen@CS.UMN.EDU](mailto:terveen@cs.umn.edu) **CSCW** Steering Committee Chair
- Michael Harrison [Michael.Harrison at newcastle.ac.uk](mailto:Michael.Harrison@newcastle.ac.uk) **EICS** Steering Committee Chair
- Kim Halskov [halskov at cs.au.dk](mailto:halskov@cs.au.dk) **DIS** Steering Committee Chair
- Rynson Lau [rynson at cs.cityu.edu.hk](mailto:rynson@cs.cityu.edu.hk) **VRST** Steering Committee Chair
- Scott Hudson [scott.hudson at cs.cmu.edu](mailto:scott.hudson@cs.cmu.edu) **UIST** Steering Committee Chair
- Michelle Zhou [mzhou at us.ibm.com](mailto:mzhou@us.ibm.com) **IUI** Steering Committee Chair
- Daniel Gatica-Perez [gatica at idiap.ch](mailto:gatica@idiap.ch) **ICMI** Steering Committee Chair
- Judy Kay [judy.kay at sydney.edu.au](mailto:judy.kay@sydney.edu.au) **UbiComp** Steering Committee Chair
- Paul Resnick [presnick at umich.edu](mailto:presnick@umich.edu) **RecSys** Steering Committee Chair
- Kori Inkpen Quinn [kori at microsoft.com](mailto:kori@microsoft.com) **GROUP** Steering Committee Chair
- Pablo Cesar [P.S.Cesar at cwi.nl](mailto:P.S.Cesar@cwi.nl) **TVX** Steering Committee Chair
- Michael Rohs [michael.rohs@ifi.lmu.de](mailto:michael.rohs@ifi.lmu.de) **Mobile HCI** Steering Committee Chair
- Elise van den Hoven [E.v.d.Hoven@tue.nl](mailto:E.v.d.Hoven@tue.nl) **TEI** Steering Committee co-Chair
- Ali Mazalek [mazalek@gatech.edu](mailto:mazalek@gatech.edu) **TEI** Steering Committee co-Chair
- Pamela Hinds [phinds@stanford.edu](mailto:phinds@stanford.edu) **CABS** (formerly ICIC and IWIC) Steering Committee Chair

# Domains and Conferences in HCI

MobileHCI  
 ICMI  
 IUI  
 CSCW  
 HCI Aero  
 HRI  
 TEI  
 ITS  
 HESSD

- Understand
  - Users and Uses
  - Social aspects
  - Work, ...
- Design
  - Processes
  - Design interaction
  - Graphical aspects
- Evaluate
- Technologies
  - Input/output devices
  - Interaction Techniques
- Implement
  - Toolkits
  - Patterns
  - Software Architectures
- Formalize
  - Understand
  - Specify
  - Verify
  - Certify



IEEE VisWeek

ACM SIGCHI

IFIP, BCS, AFIHM, AIPO, ...

for any sponsored conference TMRF

AC for Conferences

works with each of the steering committee chairs  
and with ACM Staff



for (50% or more co-)sponsored conference budget

if 2 conferences of a series in a row  
return a surplus over the budget

next conference may request “Surplus grant (i)”  
 $= ((\text{sum}(\text{Surplus}(i-1)+\text{Surplus}(i-2)))/2) / 2$

As long as the SIGCHI fund balance ...

to support governance, democracy, and continuity

SIGCHI developed the model of

**Communities within SIGCHI**



# SIGCHI

[Site Map](#)

[Accessibility](#)

[Contact](#)

[Home](#)

[Connect](#)

[About SIGCHI](#)

[People](#)

[News](#)

[Resources](#)

[Publications](#)

[Conferences](#)

[Communities](#)

[News](#)

## Communities

[Accessibility](#)[CCaA](#)[CSCW](#)[SIGCHI](#)[FoodCHI](#)[HCI and Sustainability](#)[HCI Education](#)[HCI4D](#)[Heritage Matters](#)[Intelligent User](#)[Interfaces](#)[Latin American HCI](#)[Community](#)[Pattern Languages and](#)[HCI](#)[Research-Practice](#)[Interaction](#)[UbiComp](#)[UIST](#)

you are here: [home](#) → [communities](#)

## SIGCHI Communities

### What are SIGCHI communities?

Communities are collections of people that are associated with SIGCHI who share a common interest. Communities may be geographic (many local SIGs would want to become a community) or they may be topical (UIST, CSCW, design, games, health care etc.) A community is a collection of people who, by banding together, can speak with a common voice within SIGCHI; can more effectively organize the activities that are of interest to them; and can obtain services that support their activities.

### Who can join?

Anyone can join in with SIGCHI communities. All that is needed is a [free ACM Web Account](#) (use your existing account if you are already an ACM or SIGCHI member). Certain privileges are reserved for members of SIGCHI such as forming a new community, voting and holding elected offices within a community. [Click here](#) for information on becoming a SIGCHI member.

## Log in

[Forgot your password?](#)[ACM Web Account](#)

## No ACM account?

## CSCW

[Log in to Join](#)

## Membership Info

### Member vs. Affiliate:

A member of SIGCHI can join up to 5 communities as a member. Members can vote and hold elected office in communities. Anyone (including SIGCHI members) can join any number of communities as an affiliate to receive updates and information about those communities.

you are here: [home](#) → [communities](#) → [cscw](#)

## The CSCW Community

287 members (151 participants, 136 affiliates)

### Community Information

The job of the Steering Committee is to represent the entire CSCW Community. However, the Chair and Chair-Elect appointed selected people who could represent major interests within the CSCW community, including major geographic areas (North America, Europe, and Asia) as well as main roles (academia, industry, graduate students). The complete set of members of the Steering Committee is:

Loren Terveen (Chair, Elected), The University of Minnesota -- [terveen@cs.umn.edu](mailto:terveen@cs.umn.edu)  
Pamela Hinds (Chair-Elect, Elected), Stanford University -- [phinds@stanford.edu](mailto:phinds@stanford.edu)  
Geraldine Fitzpatrick (Appointed), Vienna University of Technology  
Brian Keegan (Appointed), Northwestern University  
Meredith Ringel Morris (Appointed), Microsoft Research  
Naomi Yamashita (Appointed), NTT Communication Science Lab

The CSCW Community Steering Committee encourage input from all members of the community. There are a number of important issues we are discussing, notably:

- The CSCW conference and a number of other ACM sponsored conferences have been making major changes to the review process in the past several years. We are considering the pluses and minuses of these changes carefully with the goal of settling on a process that serves the needs of all (current and potential) members of our community.
- What factors should the CSCW Steering Committee and CSCW Conference Chairs consider in selecting locations for future conferences? How often should we situate the conference outside of North America? What locations should we consider?
- What is the relationship of the CSCW Conference to the many other related conferences (e.g., GROUP, ECSCW, ICWSM, WWW, etc.)? Is the name "Computer Supported Cooperative Work" still an adequate description of what our community does and the type of work presented at the conference? Does it serve the needs of all our members?

The Steering Committee will be using various techniques to foster conversation on these topics.

---

### **Mission**

This Community will serve the various needs, as they arise, of the broader CSCW community. In particular, it will provide a venue for people interested in CSCW and Social Computing to discuss timely issues of importance to the field. It will also oversee the annual SIGCHI CSCW conference, choosing conference chairs, advising on site selection, and considering any policy issues regarding the conference that may arise. The Community will also coordinate with conferences that have similar missions or content, such as GROUP, ECSCW, and any others that attract significant CSCW content.

---

### **Officers**

**Chair:** Loren Terveen

## Communities

[Accessibility](#)[CCaA](#)[CSCW](#)[EICS](#)[FoodCHI](#)[HCI and Sustainability](#)[HCI Education](#)[HCI4D](#)[Heritage Matters](#)[Intelligent User](#)[Interfaces](#)[Latin American HCI](#)[Community](#)[Pattern Languages and](#)[HCI](#)[Research-Practice](#)[Interaction](#)[UbiComp](#)[UIST](#)

you are here: [home](#) → [communities](#)

## SIGCHI Communities

### What are SIGCHI communities?

Communities are collections of people that are associated with SIGCHI who share a common interest. Communities may be geographic (many local SIGs would want to become a community) or they may be topical (UIST, CSCW, design, games, health care etc.) A community is a collection of people who, by banding together, can speak with a common voice within SIGCHI; can more effectively organize the activities that are of interest to them; and can obtain services that support their activities.

### Who can join?

Anyone can join in with SIGCHI communities. All that is needed is a [free ACM Web Account](#) (use your existing account if you are already an ACM or SIGCHI member). Certain privileges are reserved for members of SIGCHI such as forming a new community, voting and holding elected offices within a community. [Click here](#) for information on becoming a SIGCHI member.

[Log in](#)[Forgot your password?](#)[ACM Web Account](#)[No ACM account?](#)

### My Communities

**Member of:**

EICS  
HCI Education  
HCI4D  
Heritage Matters

**Affiliate of:**

[Pattern Languages and HCI](#)

**Other Communities:**

[Accessibility](#)  
[CCaA](#)  
[CSCW](#)  
[FoodCHI](#)  
[HCI and Sustainability](#)  
[Intelligent User](#)  
[Interfaces](#)  
[Latin American HCI](#)  
[Community](#)  
[Research-Practice](#)  
[Interaction](#)  
[UbiComp](#)  
[UIST](#)

[Start a Community](#)

you are here: [home](#) → [communities](#)

**Info** Welcome! You are now logged in.

## SIGCHI Communities

### What are SIGCHI communities?

Communities are collections of people that are associated with SIGCHI who share a common interest. Communities may be geographic (many local SIGs would want to become a community) or they may be topical (UIST, CSCW, design, games, health care etc.) A community is a collection of people who, by banding together, can speak with a common voice within SIGCHI; can more effectively organize the activities that are of interest to them; and can obtain services that support their activities.

### Who can join?

Anyone can join in with SIGCHI communities. All that is needed is a [free ACM Web Account](#) (use your existing account if you are already an ACM or SIGCHI member). Certain privileges are reserved for members of SIGCHI such as forming a new community, voting and holding elected offices within a community. [Click here](#) for information on becoming a SIGCHI member.

### Account

You are logged in as:  
**Gerrit Van der Veer**

[Logout](#)

[ACM Web Account](#)

Membership Visibility:  
**Visible** - [Make Hidden](#)

SIGCHI-LE

[Community Management](#)

[Community Administration](#)



you are here: [home](#) → [communities](#)

## Start a Community

SIGCHI members can start a community. A community should not overlap in purpose with an existing community. Communities can be geographic (many local SIGs would want to become a community) or topical (UIST, CSCW, design, games, health care, etc.).

\* indicates a required field.

**Community Name\*** (Do not include the word "Community".)

**Community Short Id\*** (use lower-case letters and no spaces - this will be used in the URL to reach the community)

**Should the community hold elections to appoint officers?\***

Yes  No

You will be the initial "acting chair" and will organize additional officer structure. Afterward, elections will be held to determine who will fill each position - including the chair position.

**Community Mission Statement\*** (What is the community's scope and purpose?)

**Community Founders (must have at least 5 including you - founders must be members of SIGCHI)**

1. Gerrit Van der Veer (you) - Acting Chair

2.

3.

**Community Founders (must have at least 5 including you - founders must be members of SIGCHI)**

1. Gerrit Van der Veer (you) - Acting Chair

- 2.
- 3.
- 4.
- 5.
- 6.
- 7.
- 8.
- 9.
- 10.

**Message to Co-founders (will be emailed to other founders with community founding request)**

**Adopted Special Interest Groups (SIGs)**

Members of the following SIGs are eligible for full participation in your community (i.e. founding a community, holding an elected office, voting, etc.):

Before adding any SIGs, you should seek presidential approval from the **SIGCHI** President, and visit [ACM's listing of SIGs](#) to ensure proper entry of the SIG identifier (e.g. SIGGRAPH, SIGWEB, etc).

- 1. SIGCHI

[+ Add an adopted SIG](#)

